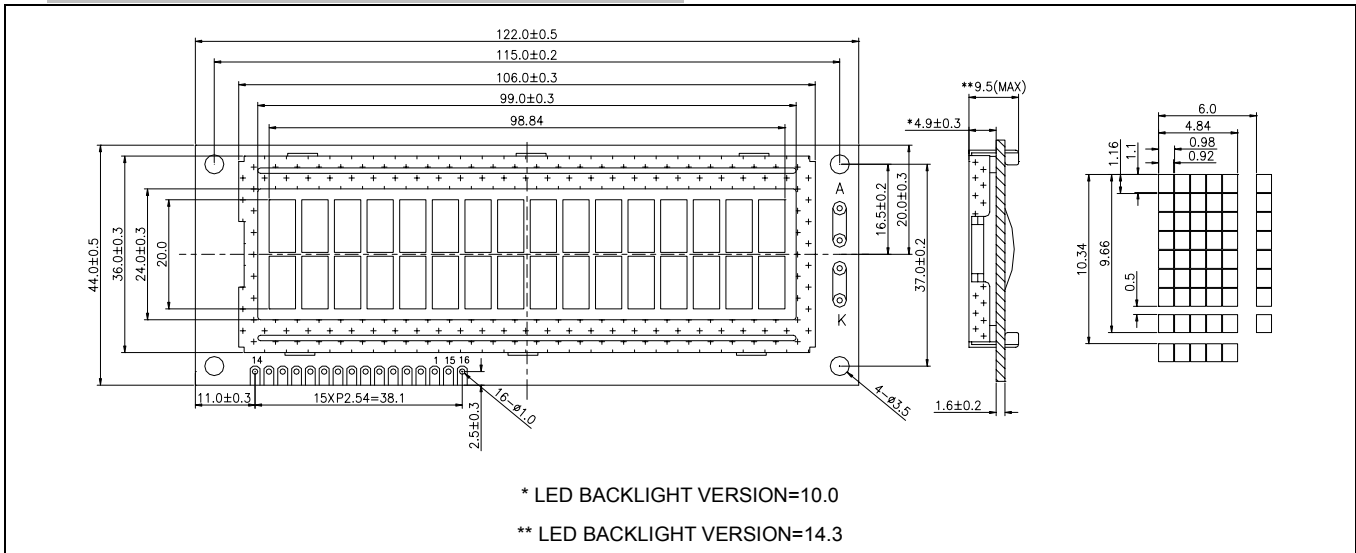


HY162XX03

16 CHAR X 2 LINE

1. EXTERNAL DIMENSION AND DISPLAY PATTERN



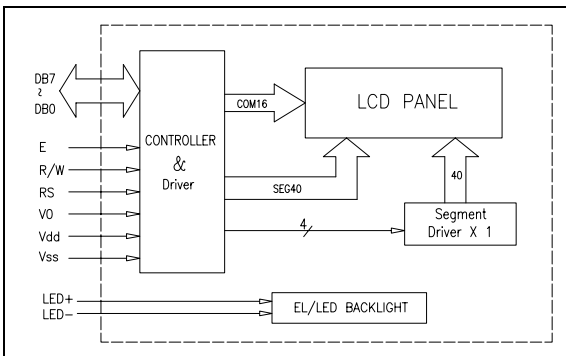
2. MECHANICAL DATA

ITEM	SPECIFICATION	UNIT
Module Size (W×H×T)	122.0×44.0×9.5 (LED:14.3)	mm
Viewing Area (W×H)	99.0×24.0	mm
Character Font (W×H)	5×7 with Cursor	dots
Character Size (W×H)	4.84×9.66	mm
Character Pitch (W×H)	6.0×10.34	mm
Dot Size (W×H)	0.92×1.1	mm

3. PIN CONFIGURATION

PIN	SYMBOL	SIGNAL DESCRIPTION
1	V _{SS}	GND (0V)
2	V _{DD}	Power Supply
3	V ₀	Supply Voltage LCD Driving
4	RS	Register Select Low = Instruction, High = Data
5	R/W	Read/Write Low = MPU to LCM, High = LCM to MPU
6	E	Enable R/W= Low : Data are talking over at falling edge R/W=High : Data can be read at E=1
7 ~ 14	DB ₀ to DB ₇	Data Bus-Software Selectable 4 or 8bit Mode
15	A	Anode of LED Unit
16	K	Cathode of LED Unit

4. BLOCK DIAGRAM



5. ABSOLUTE MAXIMUM RATINGS

PARAMETER	SYMBOL	MIN.	MAX.	UNIT
Supply Voltage (Logic)	V _{DD} - V _{SS}	-0.3	7.0	V
Supply Voltage (Driver)	V ₀	V _{DD} - 12	V _{DD} + 0.3	V
Input Voltage	V _{IN}	-0.3	V _{DD} + 0.3	V

6. ELECTRICAL CHARACTERISTICS (Ta=25°C)

ITEM	SYMBOL	CONDITION	SPEC. VALUE			UNIT
			MIN.	TYP.	MAX.	
Supply Voltage (Logic)	V _{DD} - V _{SS}		4.5	5.0	5.5	V
Supply Current (Logic)	I _{DD}	V _{DD} =5V	-	0.8	2.0	mA
Input Voltage	"HIGH"	V _{IH}	-	2.2	-	V _{DD}
	"LOW"	V _{IL}	-	-0.3	-	0.6
Output Voltage	"HIGH"	V _{OH}	-I _{OH} =0.2mA	2.4	-	-
	"LOW"	V _{OL}	I _{OL} =1.2mA	-	-	0.4
LCD Operating Voltage	V _{DD} - V ₀	V _{DD} =5V, Ta=25°C	4.2	4.4 (7.8)	4.6	V
Supply Voltage LCD Drive	V ₀		-	1.0	1.5	mA

Note : () Value is high Reliability type

7. BACKLIGHTING CHARACTERISTICS (Ta=25°C)

ITEM	SYMBOL	CONDITION	MIN.	TYP.	MAX.	UNIT
Supply Voltage	V _{LED}	-	-	4.2	4.6	V
Power Consumption	P _{LED}	I _F =270mA	-	1140	-	mW
Luminous	I _V	I _F =270mA	-	185	-	cd/m ²